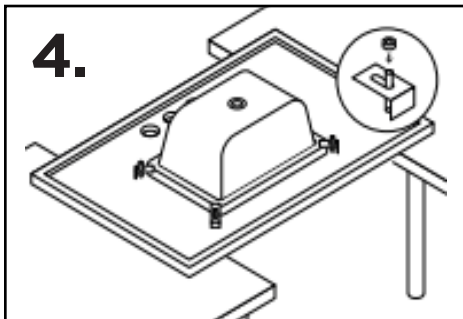
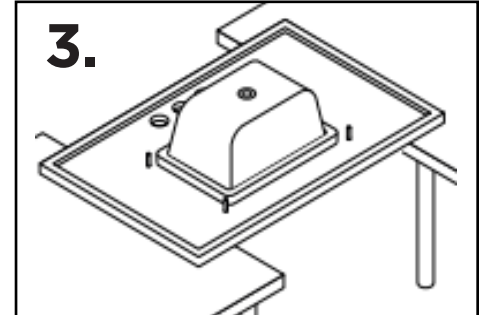
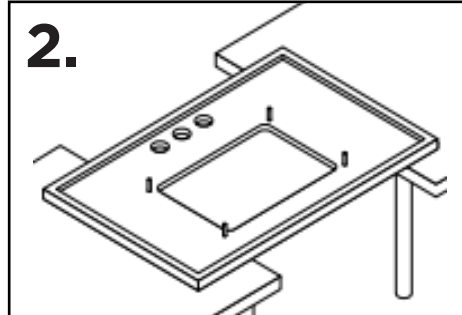
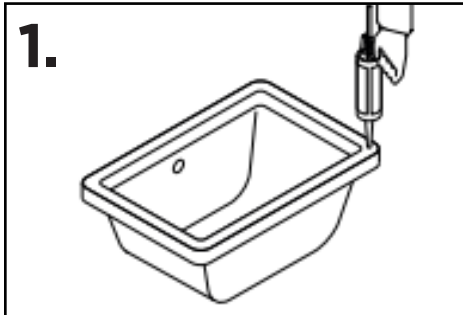


INSTRUCTION MANUAL

ESSENCE
KITCHEN + BATH PRODUCTS

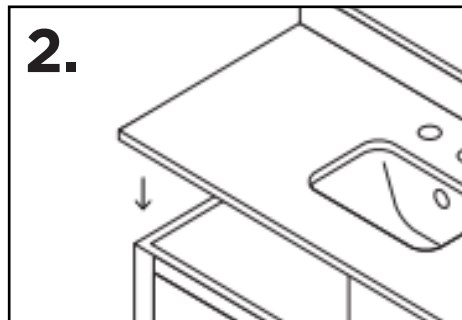
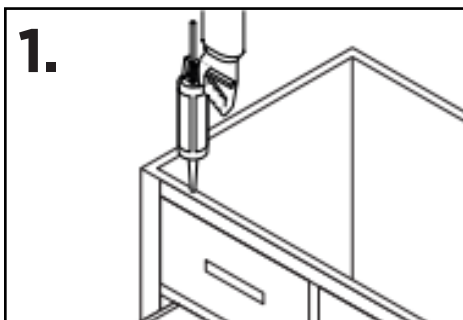
PLEASE READ THIS ENTIRE INSTRUCTION MANUAL BEFORE MAKING ANY ATTEMPT TO ASSEMBLE OR INSTALL THE PRODUCT

ATTACHING SINK(S) TO THE COUNTER TOP



1. Apply a continuous bead of silicone adhesive on to the entire circumference of the sink(s).
2. Carefully turn the counter top upside down while supporting from each end and from beneath. *(Note: While turning over double sink counter tops, always provide support from each end as well as the center for safety)*
3. Put the sink(s) over the cutout and attach it firmly using provided mounting brackets and screws.
4. Use mounting brackets and screws provided to tighten the sink(s) snugly to the counter top.

ATTACHING THE COUNTER TOP TO CABINET



1. Apply a dab of silicone adhesive to each of the 4 corners of the cabinet where the counter top needs to be placed. *(For 61" & 73" tops: Also place a dab in the center of the front and back of cabinet.)*
2. Place the counter top on the cabinet. *(Note: Don't start using the vanity right away. Wait for approximately 24 hours after installation so that the silicone adhesive can dry.)*

SAFETY & PRECAUTIONS

During installation, handle the counter top and sink(s) with optimum care. They may break if hit hard on a solid surface. Don't start using the vanity right away. Wait for approximately 24 hours after installation so that the silicone adhesive can dry.

CARE & CLEANING

Avoid using any type of rough/abrasive cleaning material on sink(s) and vanity top. We suggest using a mild liquid soap and water dampened soft cloth for cleaning your sink and vanity top.